

# PRODUCT CATALOGUE



**HIROSE (Singapore) Pte Ltd**

# ROAD DECK PANELS

## METRODECK (Nippon Steel Corporation)

### \*Shape and Type

Each METRODECK consists of five checkered wide flange beams with anti-skid patterns hot rolled on the flange surfaces.

These beams are cut into specified lengths, welded together and reinforced with plates as required.

All METRODECKs are rectangular in shape.

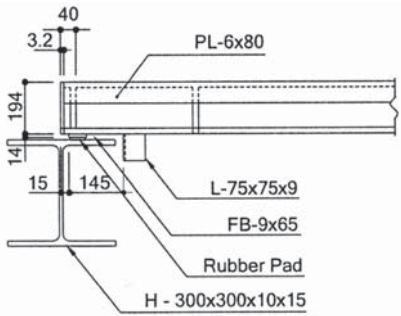
Width x Length x Thickness (mm)	Area (m <sup>2</sup> )	Weight (kg / Sheet)
1,000 x 2,000 x 208	2.00	368

### \*Method of Installation

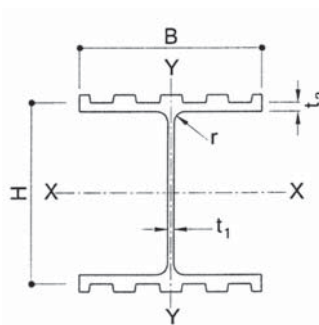
METRODECKs of this type can be installed by simply setting them on support beams without any fixing operations.

Angle is welded to both ends on the bottom side of each METRODECK as a stopper to prevent horizontal movement.

### Self - Seating Type

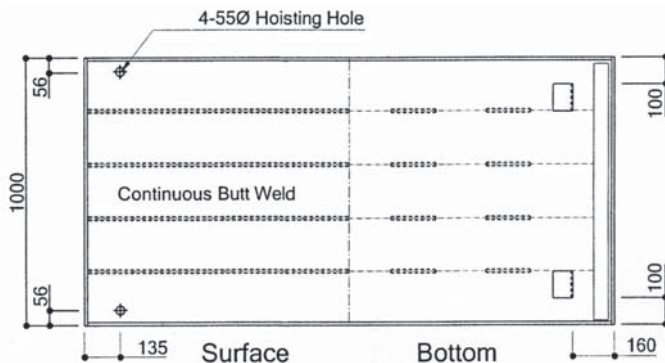
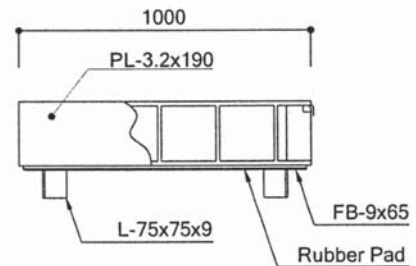
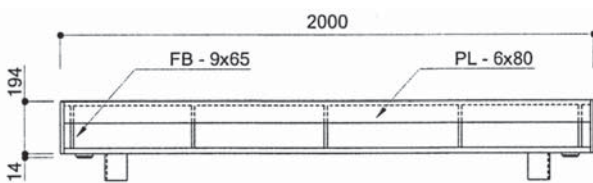


### Rugged Grid - Patterns Section Properties



H (mm)	B (mm)	t (mm)	t <sub>1</sub> (mm)	r (mm)	A (mm <sup>2</sup> )	W (kg / mm)
190	197	5	7	13	39.94	32.6

I <sub>x</sub> (cm <sup>4</sup> )	I <sub>y</sub> (cm <sup>4</sup> )	i <sub>x</sub> (cm <sup>2</sup> )	i <sub>y</sub> (cm <sup>2</sup> )	z <sub>x</sub> (cm)	z <sub>y</sub> (cm)
3,030	977	8.71	4.95	312	99.2





**HIROSE (Singapore) Pte Ltd**

**OFFICE**

200 Cantonment Road #06-06/07  
Southpoint Singapore 089763  
Tel: 6225 8655 / 6225 0401  
Fax: 6222 3008 / 6225 1076  
web: [www.hirose-singapore.com](http://www.hirose-singapore.com)

**Street 2 yard**

No.5 Sungei Kadut Street 2 Singapore 729227  
Tel: 6365 2997  
Fax: 6365 1124

**Street 4 yard**

No.16 Sungei Kadut Street 4 Singapore 729044  
Tel: 6367 1843  
Fax: 6347 1849