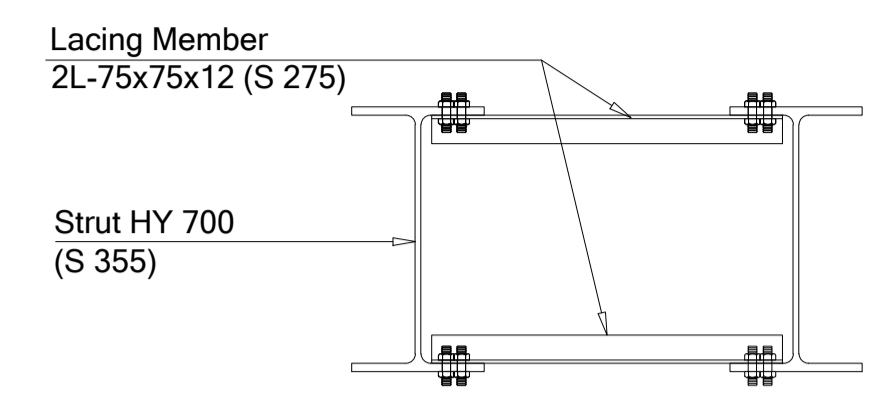
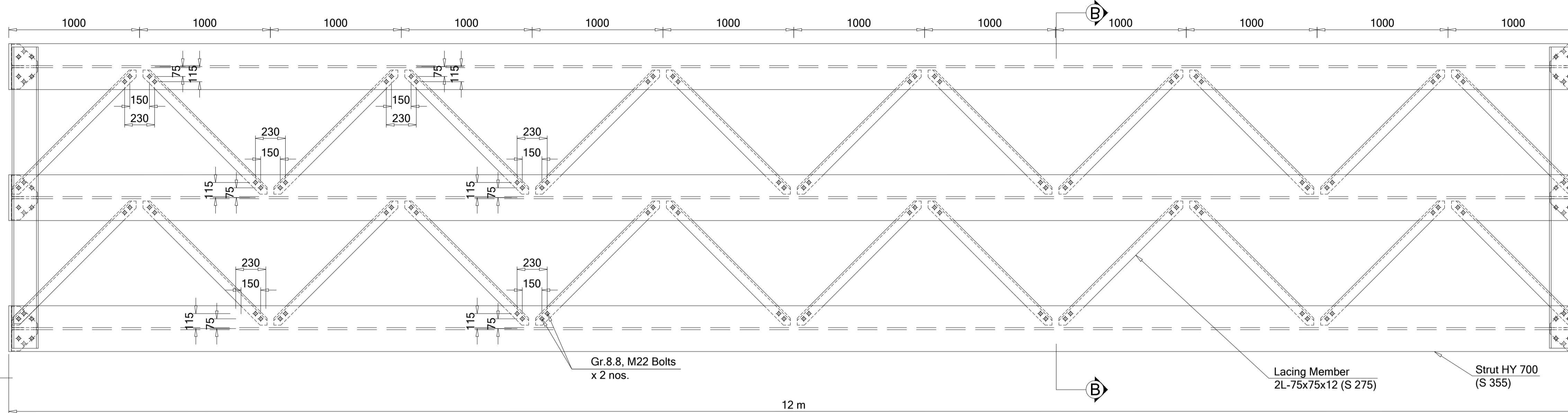


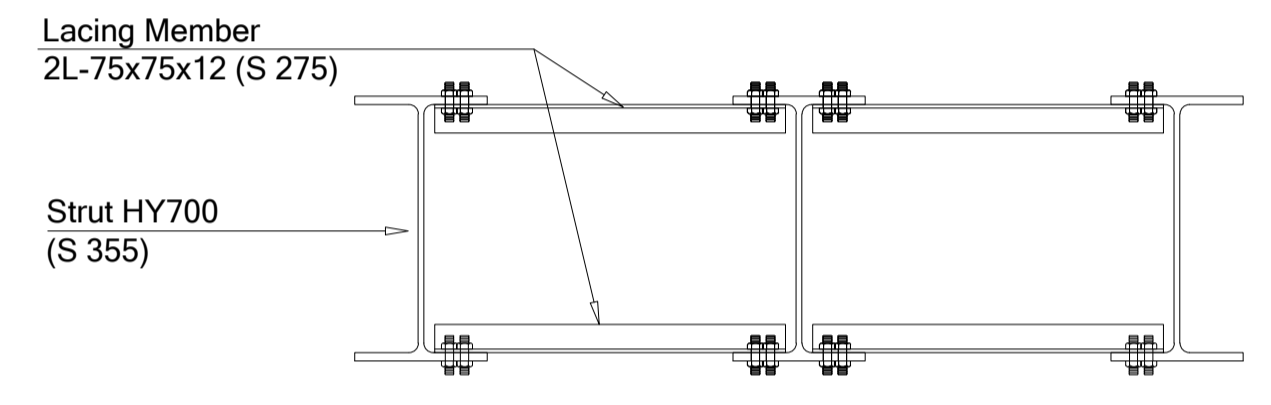
TWIN STRUT DETAIL
SCALE 1:20



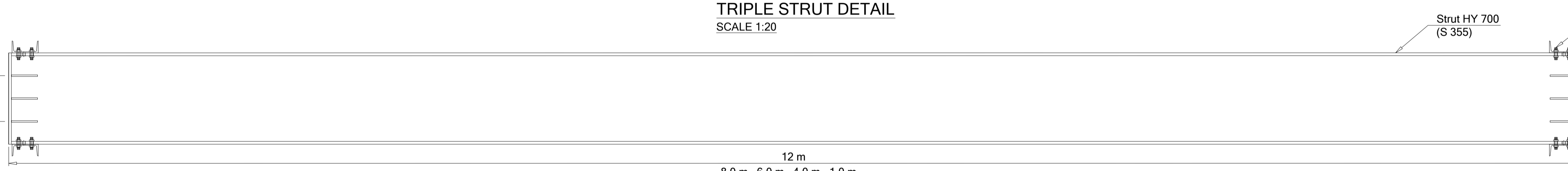
SECTION A - A
SCALE 1:20



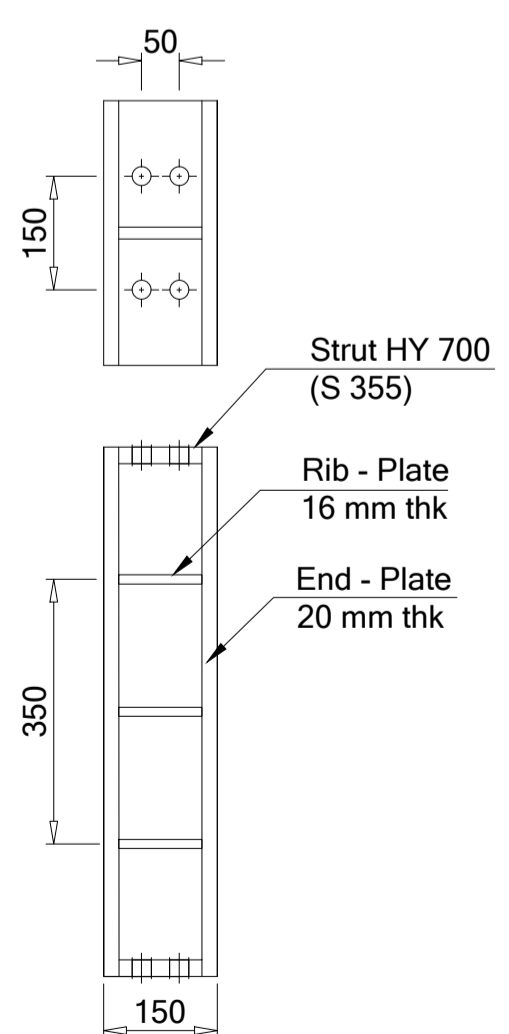
TRIPLE STRUT DETAIL
SCALE 1:20



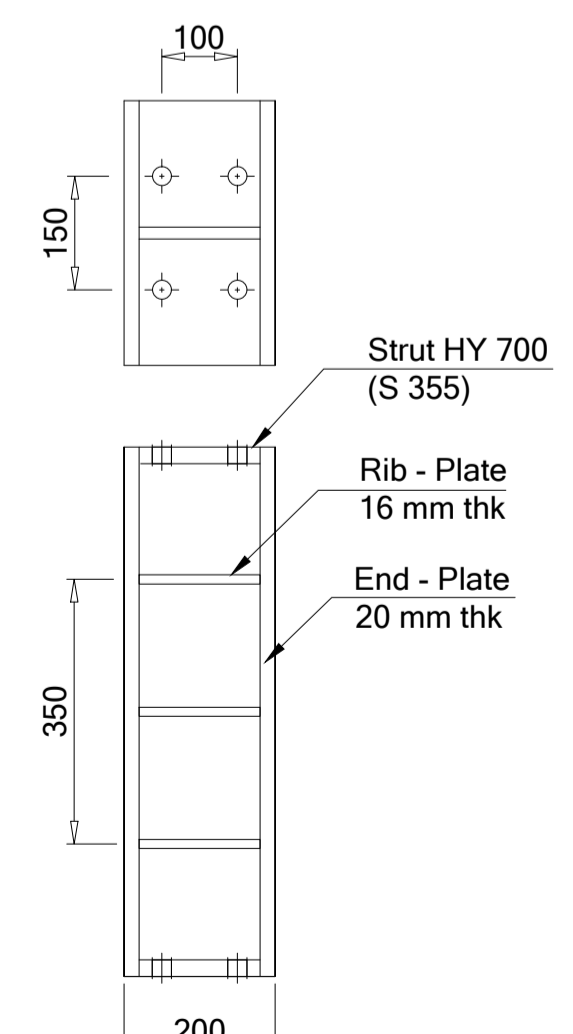
SECTION B - B
SCALE 1:20



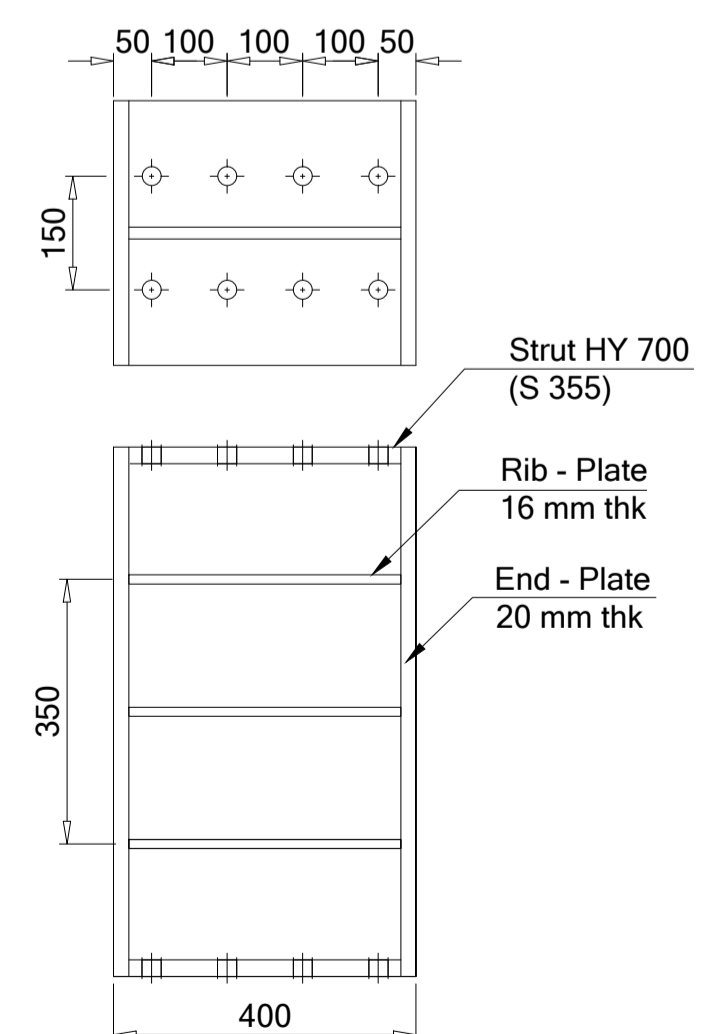
ELEVATION VIEW C - C
SCALE 1:20



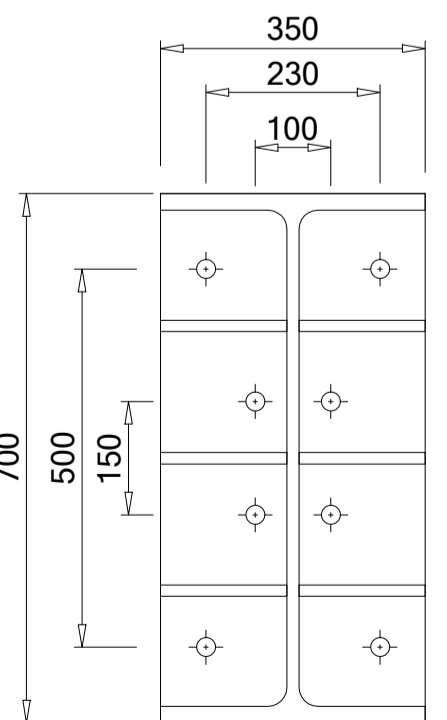
DISTANCE PIECE DETAIL FOR DP 0.15M
SCALE 1:10



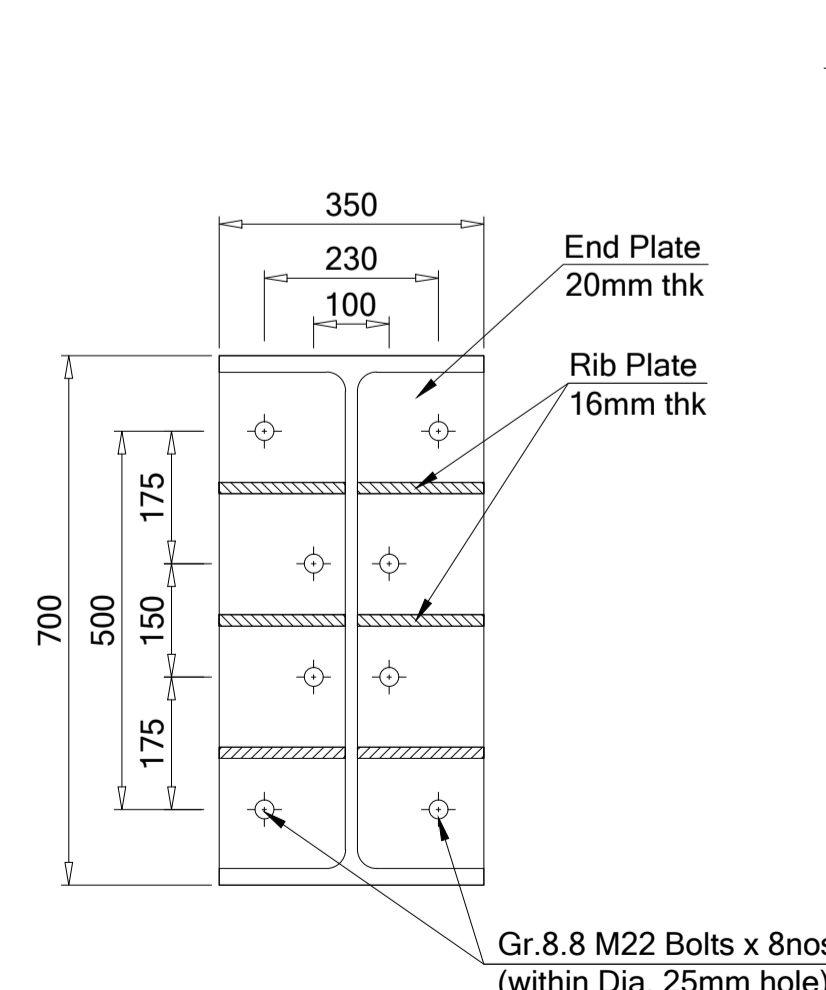
DISTANCE PIECE DETAIL FOR DP 0.2 M
SCALE 1:10



DISTANCE PIECE DETAIL FOR DP 0.4 M
SCALE 1:10



END PLATE (t = 20mm)
Scale 1:10

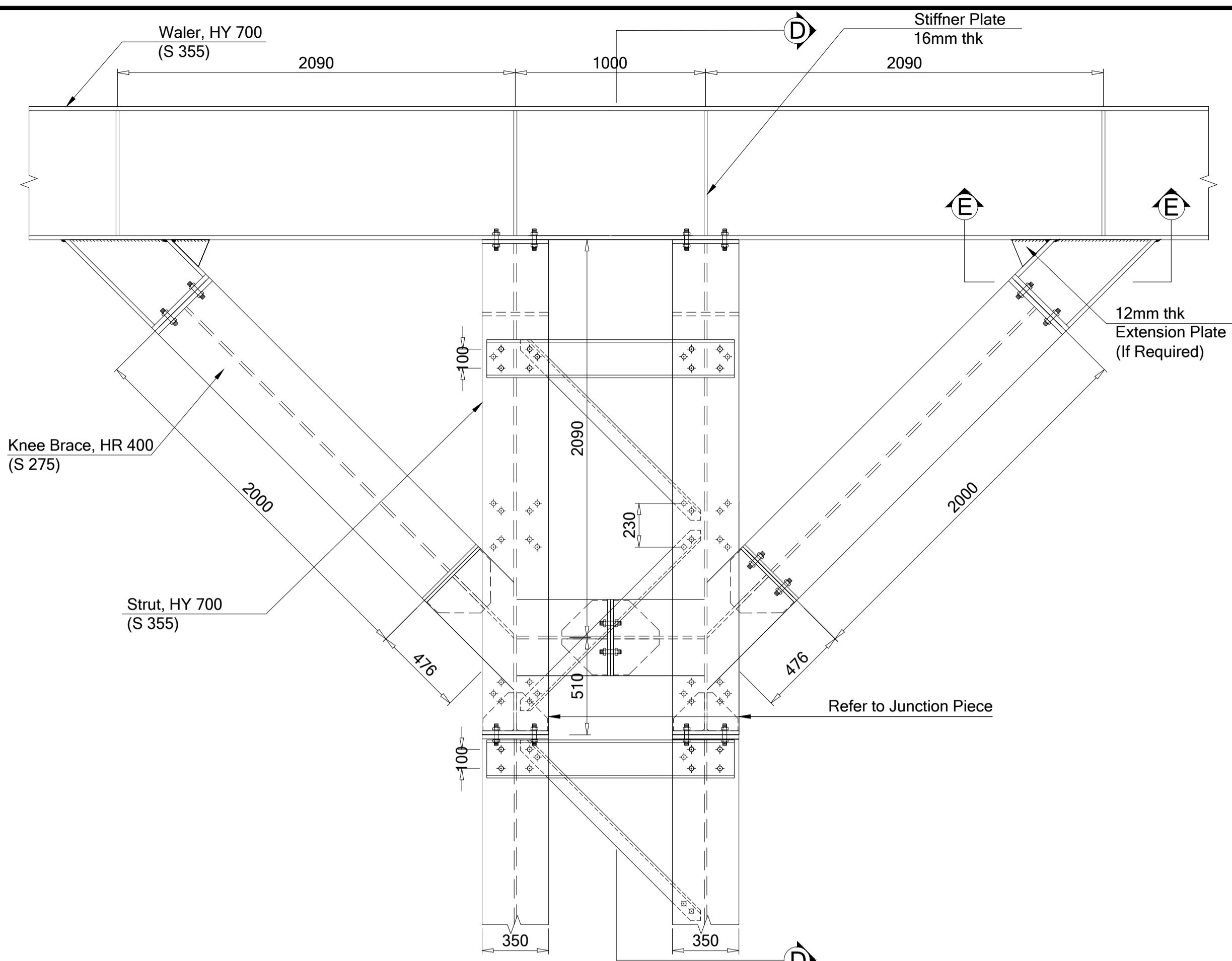


TYPICAL STRUT - STRUT CONNECTION DETAIL
Scale 1:10

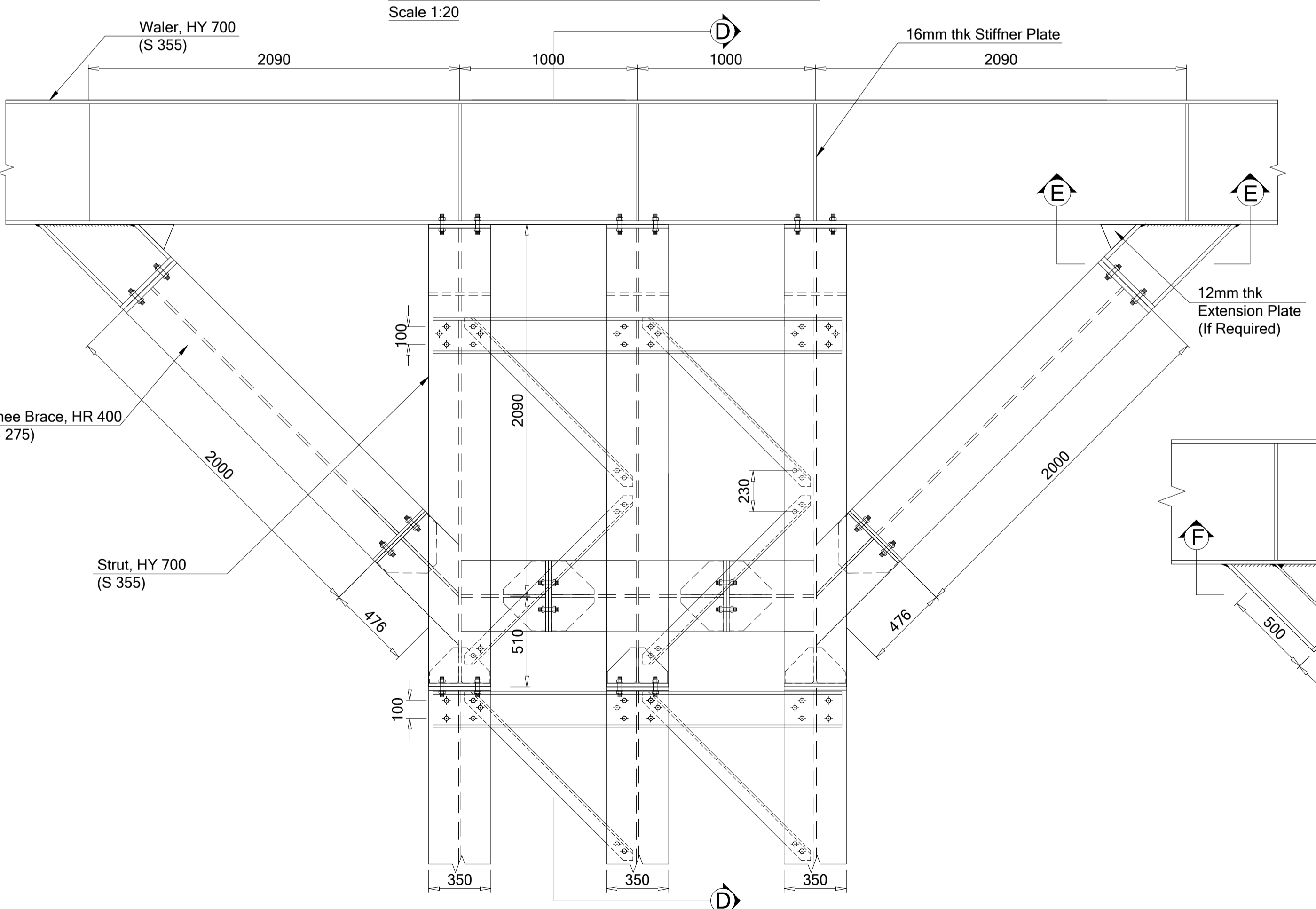
NOTE : TYPICAL CONFIGURATION IS AVAILABLE FOR HY 650x300x14x19x158 kg/m (S 355)

HIROSE (Singapore) Pte. Ltd.
200 Cantonment Road
06-06 / 07, Southpoint
Singapore (089763)

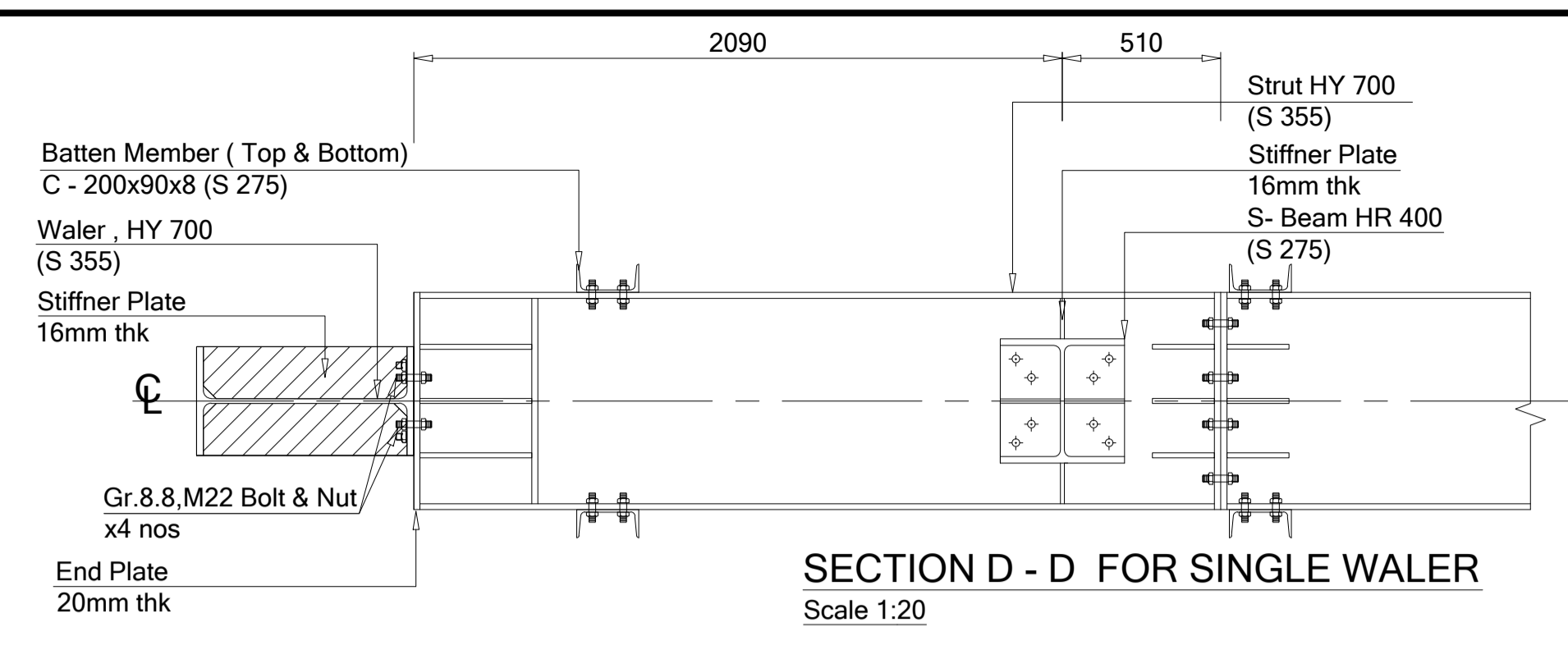
TITLE	TYPICAL CONNECTION DETAILS FOR HYPER STRUT HY 700/ HY 650
DATE	19-May-2010
REVISION	-
SCALE	As Shown
PAGE	1 of 2



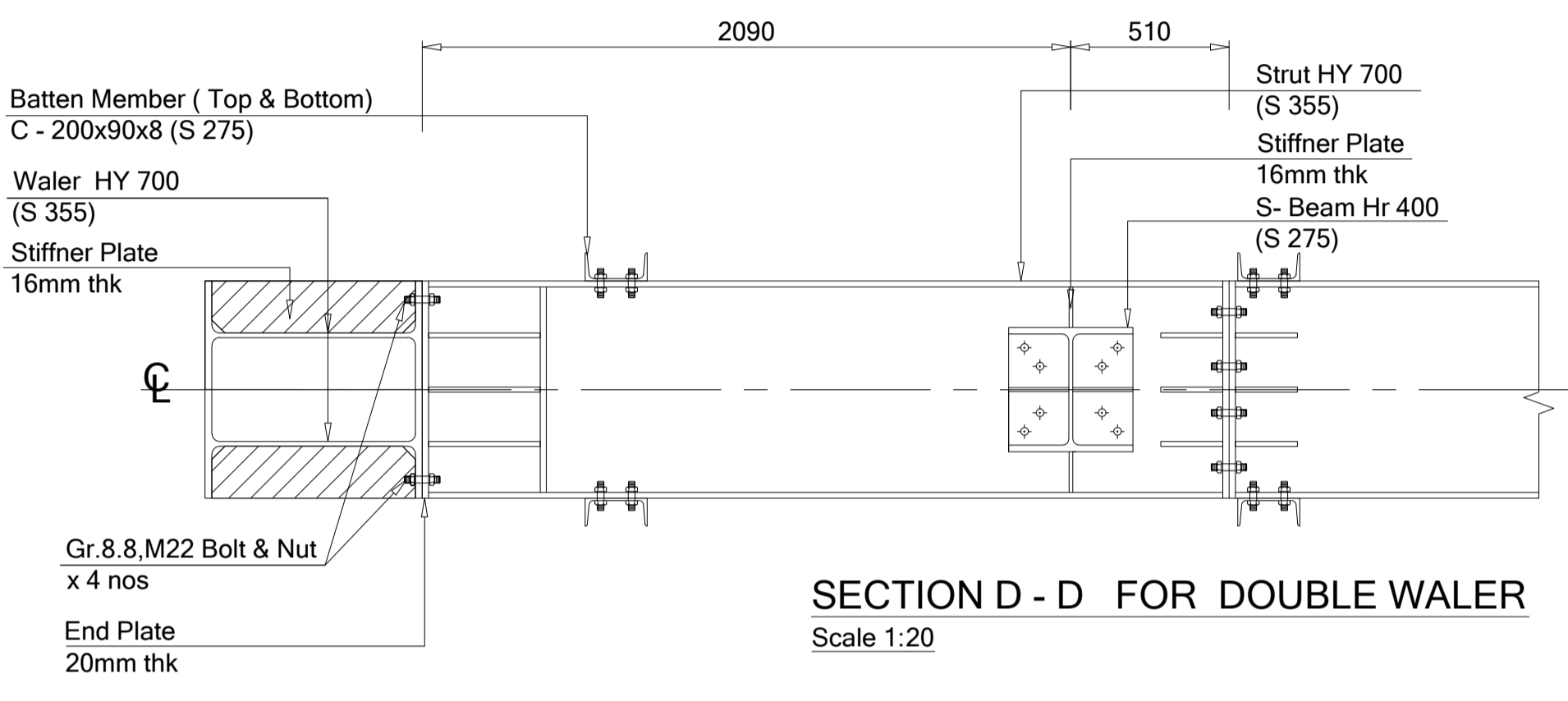
TYPICAL STRUT- KNEE BRACE & WALER CONNECTION DETAIL FOR TWIN STRUT
Scale 1:20



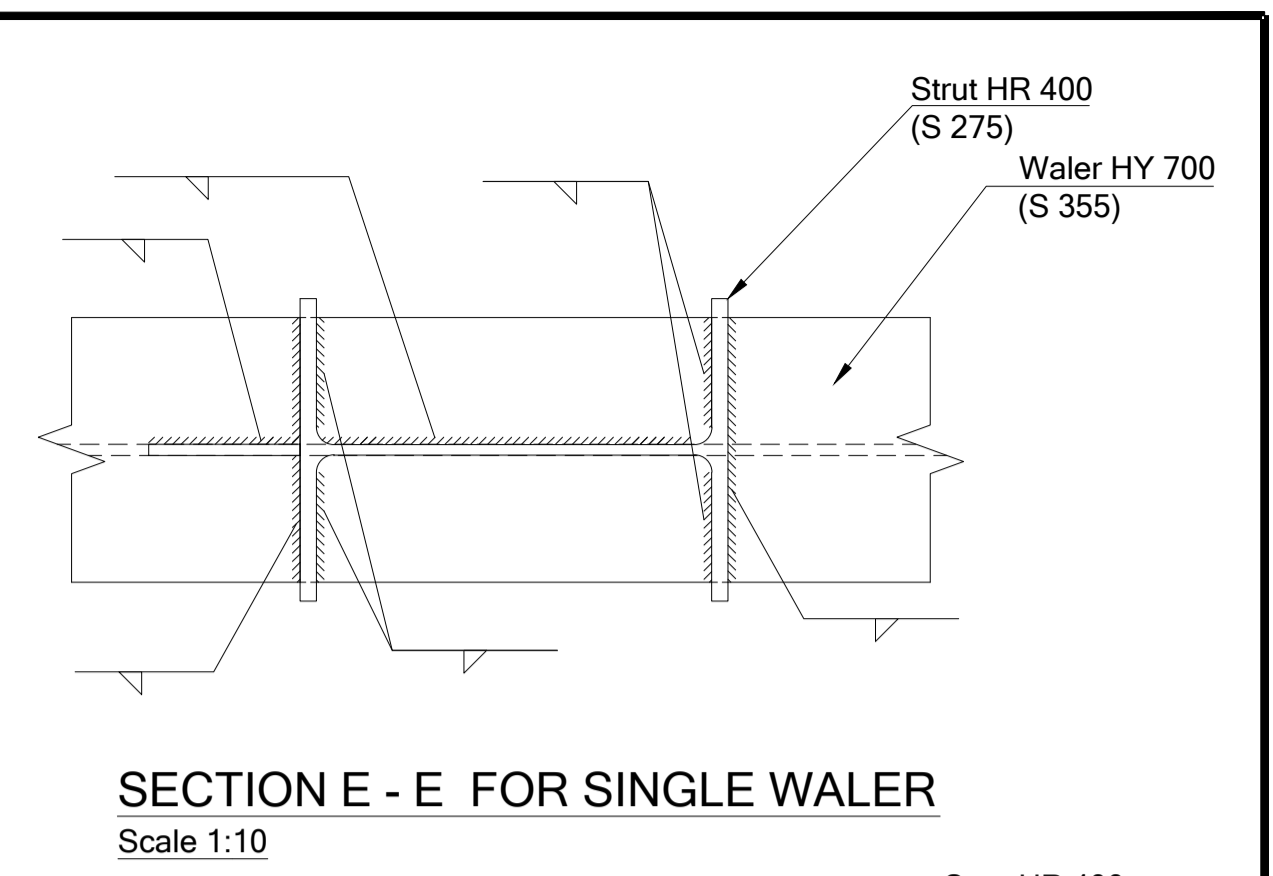
TYPICAL STRUT- KNEE BRACE & WALER CONNECTION DETAIL FOR TRIPLE STRUT
Scale 1:20



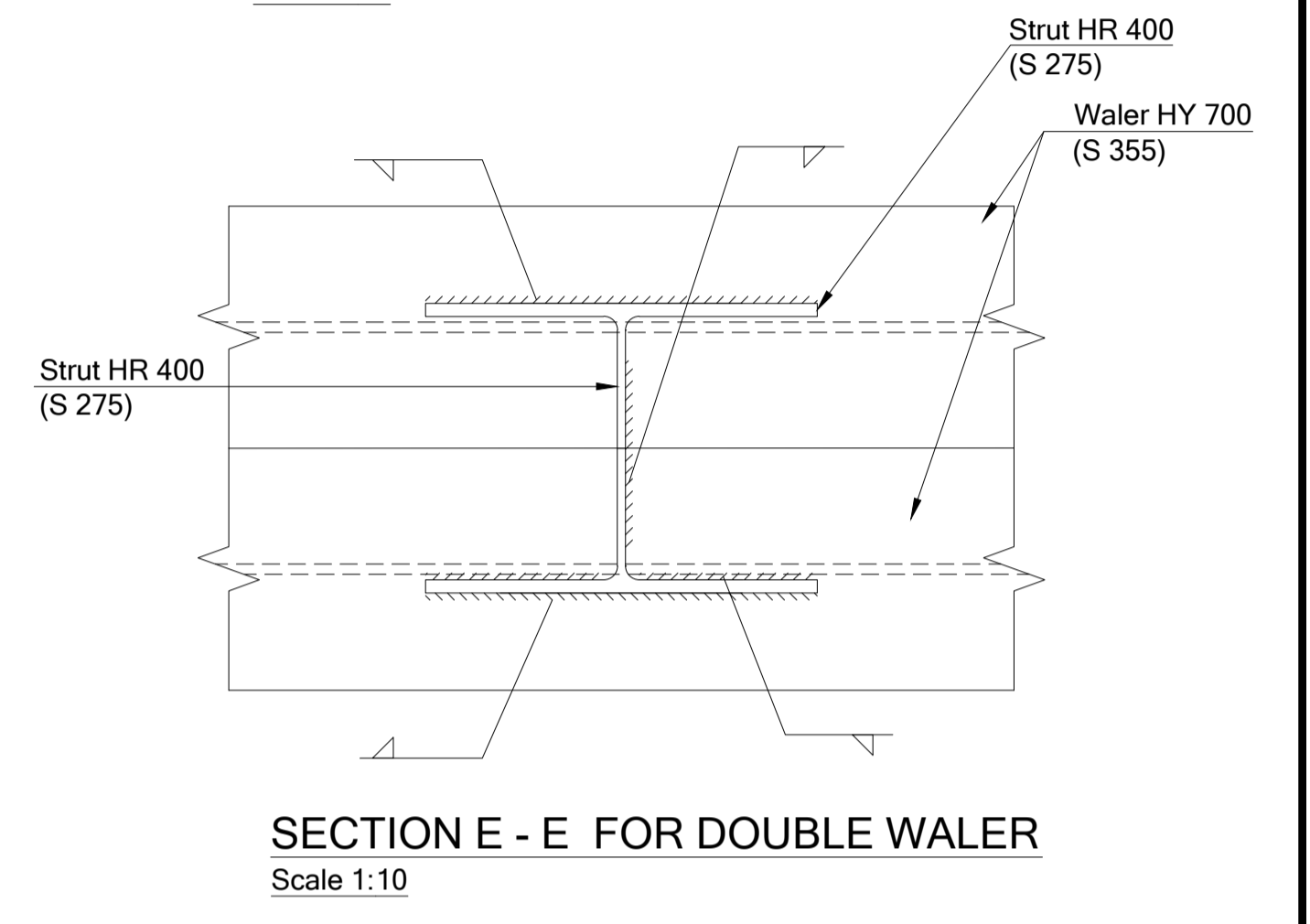
SECTION D - D FOR SINGLE WALER
Scale 1:20



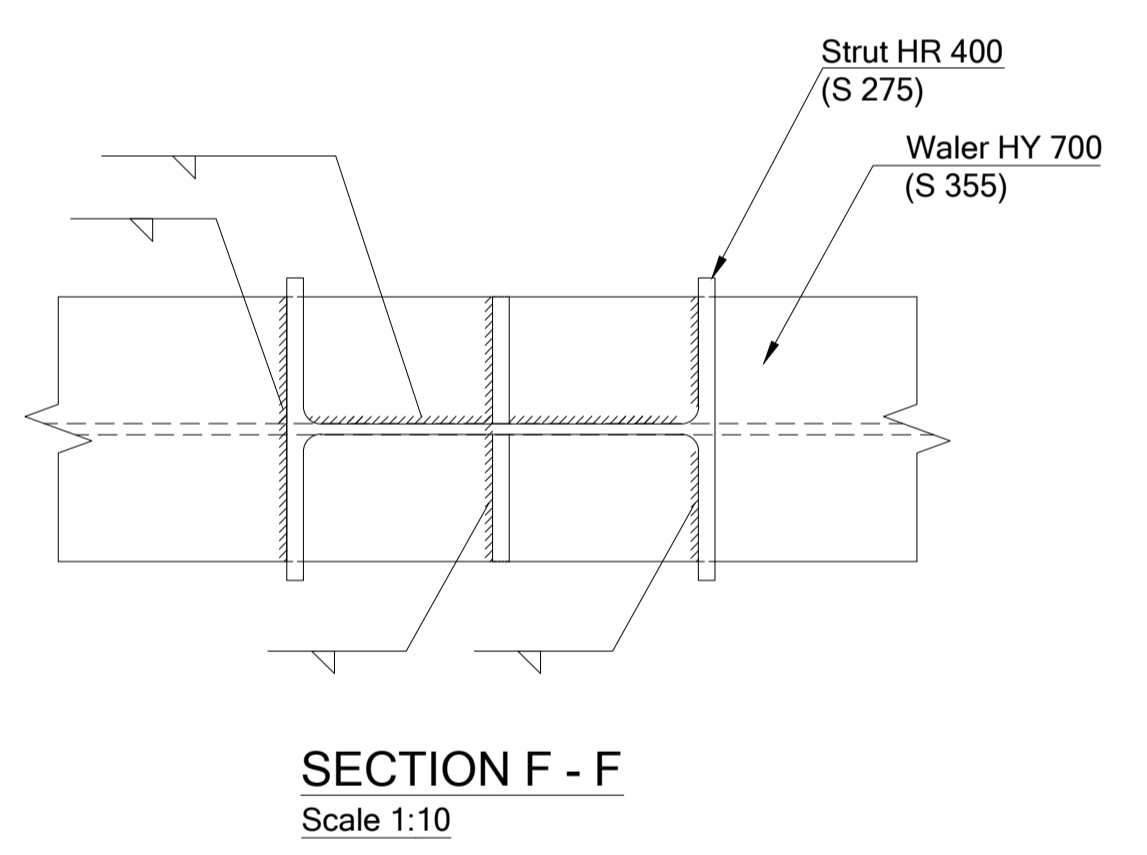
SECTION D - D FOR DOUBLE WALER
Scale 1:20



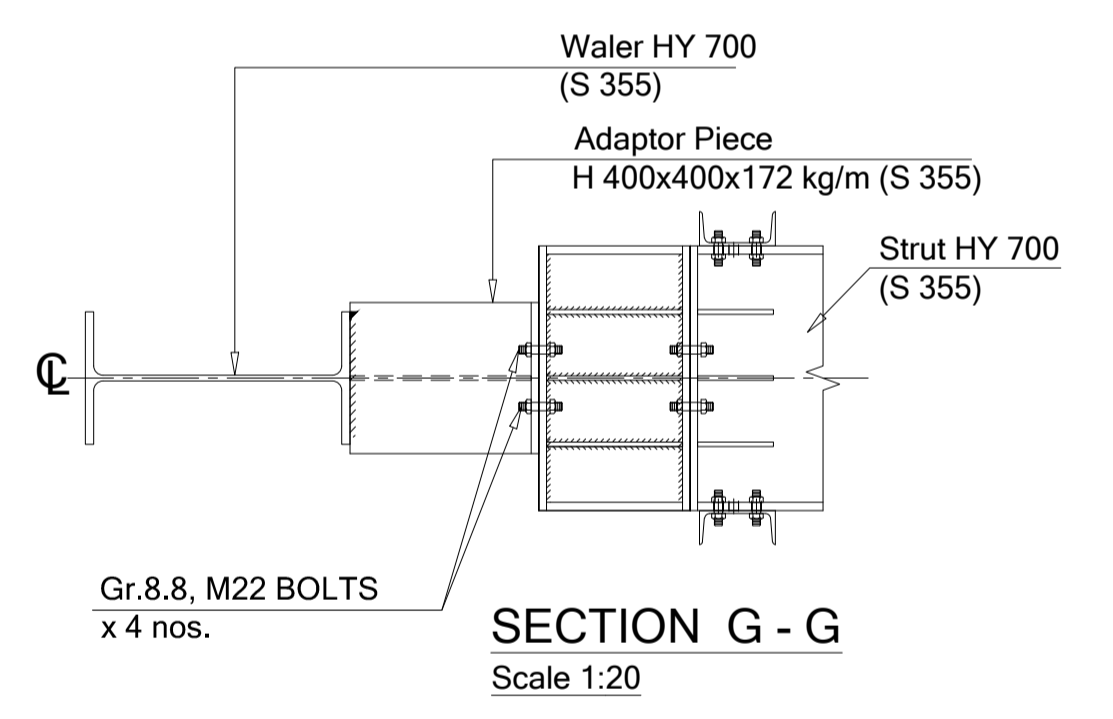
SECTION E - E FOR SINGLE WALER
Scale 1:10



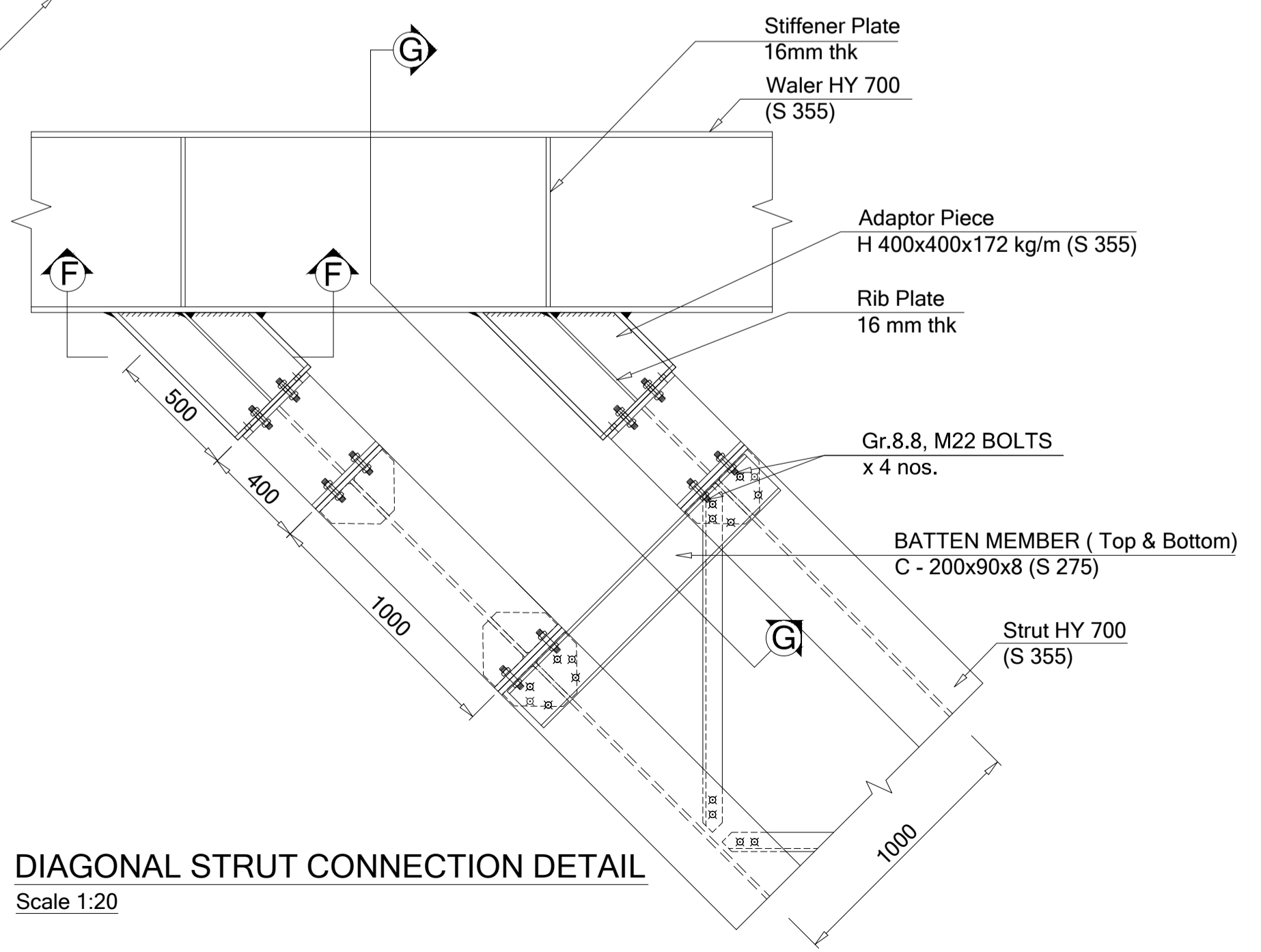
SECTION E - E FOR DOUBLE WALER
Scale 1:10



SECTION F - F
Scale 1:10



SECTION G - G
Scale 1:20



DIAGONAL STRUT CONNECTION DETAIL
Scale 1:20

NOTE : TYPICAL CONFIGURATION IS AVAILABLE FOR HY 650x300x14x19x158 kg/m (S 355)

HIROSE (Singapore) Pte. Ltd.
200 Cantonment Road
06-06 / 07, Southpoint
Singapore (089763)

TITLE	TYPICAL CONNECTION DETAILS FOR HYPER STRUT HY 700/ HY 650
DATE	19-May-2010
REVISION	-
SCALE	As Shown
PAGE	2 of 2